



SELF PROPELLED PLATFORM

PIONEER IN TREE PRUNING TECHNOLOGY

STMP-26 Ultra

Illustrative Application:

- Road Side Tree Pruning up to height of 30 feet
- Street Light Maintenance
- Colony/Township Maintenance
- Campus/Industry/Civil Maintenance work
- Vertical Gardening & Fruit Harvesting

Safety features:

- In case of Machine sudden stoppage, the boom can be operated from ground for safe landing of operator
- Parking brake are automatically applied whenever engine stops
- The boom downwards is so smooth that operator does not feel unsafe while coming down

SELF PROPELLED PLATFORM

PIONEER IN TREE PRUNING TECHNOLOGY



Long Reach Chain Saw

Hydraulically Powered cutting tool used for tree trimming/pruning.

Operator Cabin

Trimming is easily done by standing on Bucket itself and by use of Chain Saw installed on Cabin

Hydraulic Cylinder

A Robust Designed Cylinder which lifts the Operator Bucket at various height and can carry up to 150 Kg of pay load (including Operator Weight)

Hydraulic Tank

It stores 20 litres (approx.) of hydraulic oil and has oil level indicator feature

Fuel Tank

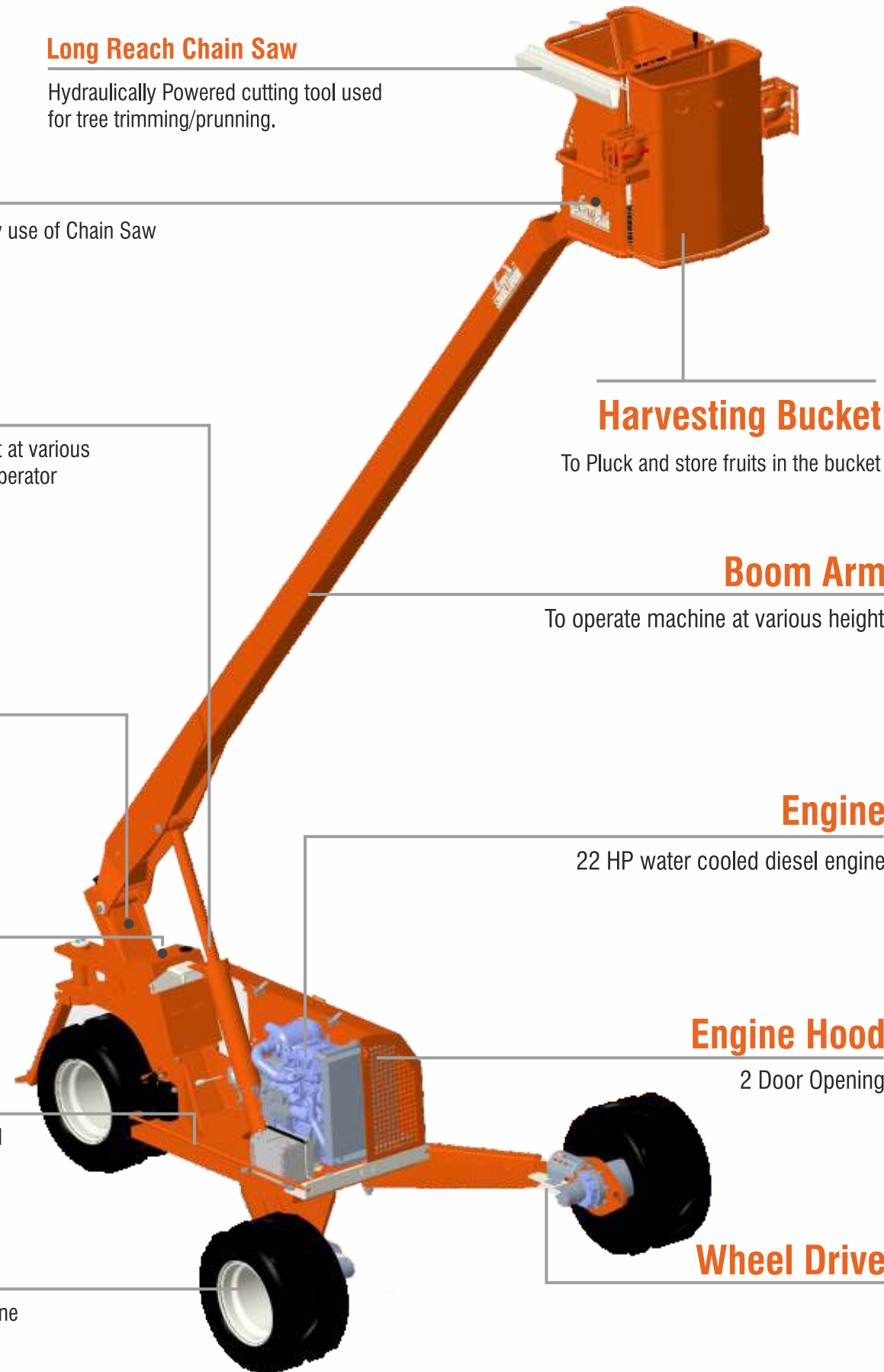
It stores 16 litre (approx.) fuel and has oil level indicator feature

Chassis

Made with high quality metal, Chassis is designed in tripod shape for easy movement for machine and lesser turning radius

Tyre & Rim

Tyre and Rim as designed to meet proper stability of Machine



Harvesting Bucket

To Pluck and store fruits in the bucket

Boom Arm

To operate machine at various height

Engine

22 HP water cooled diesel engine

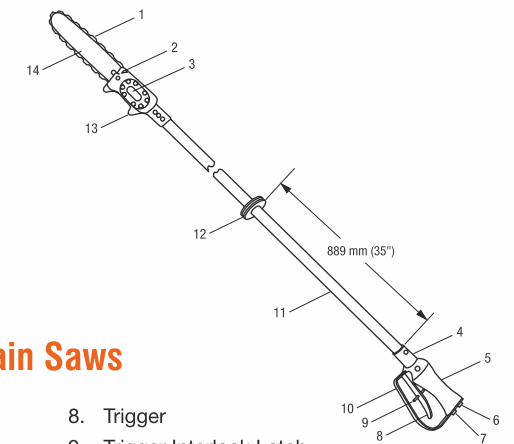
Engine Hood

2 Door Opening

Wheel Drive

Long-Reach Chain Saws

- | | |
|-------------------------|------------------------------------|
| 1. Saw Chain | 8. Trigger |
| 2. Automatic Oiler | 9. Trigger Interlock Latch |
| 3. Hydraulic Gear Motor | 10. Trigger Guard or Trigger Strap |
| 4. Serial Number | 11. Extension |
| 5. Handle | 12. Hand Stop |
| 6. Return Port | 13. Saw Head |
| 7. Pressure Port | 14. Guide Bar |



Operator Cabin Control

- | | |
|--------------------------------|---------------------------------------|
| By Hand to Move Bucket Up/Down | To Move Machine Front/Back/Left/Right |
| Horn | Hour Meter |
| | Indicator Lights |
| By Foot to Move Bucket Up/Down | Accelerator Pedal |



- | | |
|--|------------------------------|
| | Emergency Switch |
| | Light On/Off Switch |
| | To Set High/Low Speed Switch |
| | To Stop Engine Switch |
| | Engine Heater Switch |
| | To Start Engine Switch |



Tree Pruning



Vertical Gardening



Street Light Maintenance



Industrial Maintenance

Technical Specification

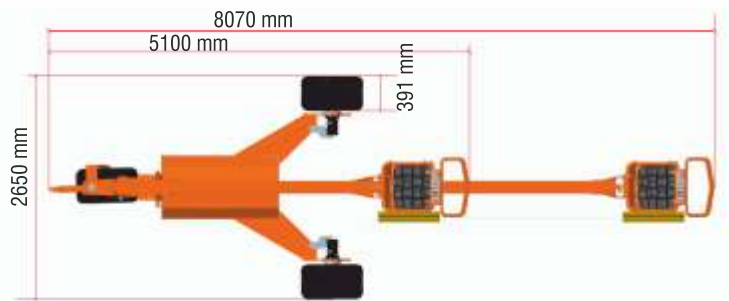
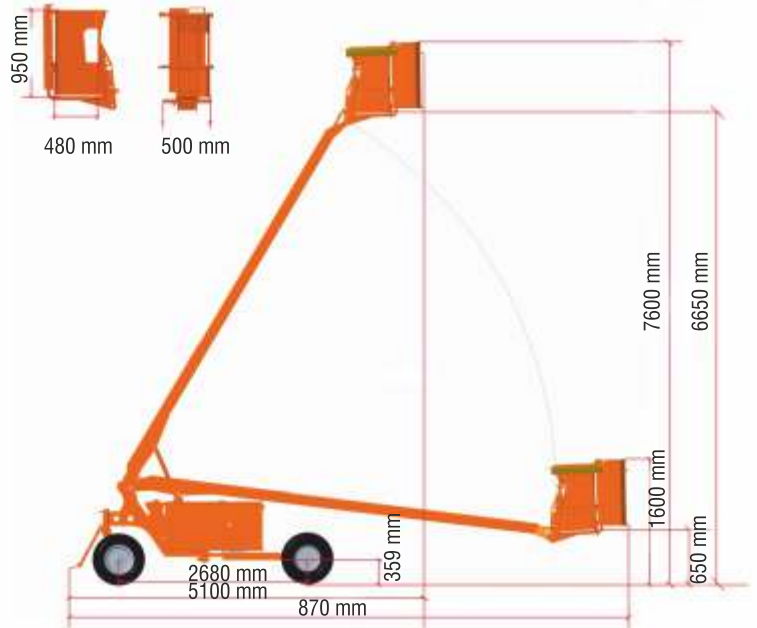
MODEL	STMP-26 Ultra
Machine Weight (Kg)	1900
Working Height (mm)	8000
Platform Size (mm)	510x510x950
Platform Load (kg)	145
Overall Length (mm)	7900
Overall Width (mm)	2650
Platform Capacity	Single Operator
Max. Hydraulic System Pressure	180 bar
Max. Hydraulic System flow	27 litres
Fuel Tank Capacity	16 litres
Hydraulic Oil Tank Capacity	20 litres
Engine	22 HP Water cooled diesel engine
Tyre Size (inch)	31x15.5x15

The company reserves absolute rights to modify the specifications of machine and components therein without any prior notice. The Actual Machine can be different from the picture shown.

Highlights

- On Site Service
- Use Genuine **SHAKTIMAN** Spare Parts
- Comes with Basic Warranty of 12 months or 800 hrs whichever closes early
- Safety of Operator
- Easy to Operate
- Technical specifications have been rounded-off to the nearest value.
- Some of the equipments illustrated or described in this leaflet may not be supplied as standard equipment and may be available at extra cost
- Tirth Agro Technology Pvt Ltd reserves the right to change specifications, schemes and equipment without prior notice

Dimensions



Tirth Agro Technology Pvt. Ltd.
"SHAKTIMAN", Survey No.-108/1, Plot No. B, NH-27, Nr. Bharudi Toll Plaza,
 Bhunava (Village), Taluka: Gondal, Dist.: Rajkot, State: Gujarat- INDIA, Pincode-360311
 ☎ +91 (02827) 234567, 270537 📠 +91 (02827) 270457
 ✉ info@shaktimanagro.com, 🌐 www.shaktimanagro.com, CIN: U72900GJ2000PTC 038435

